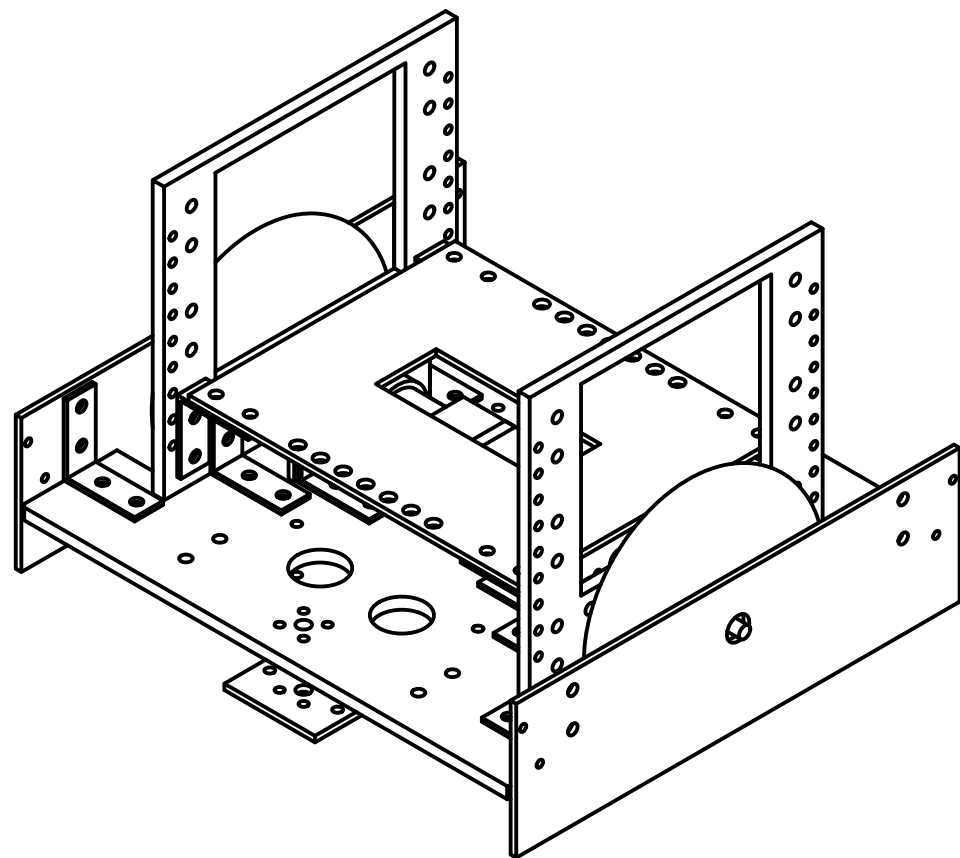
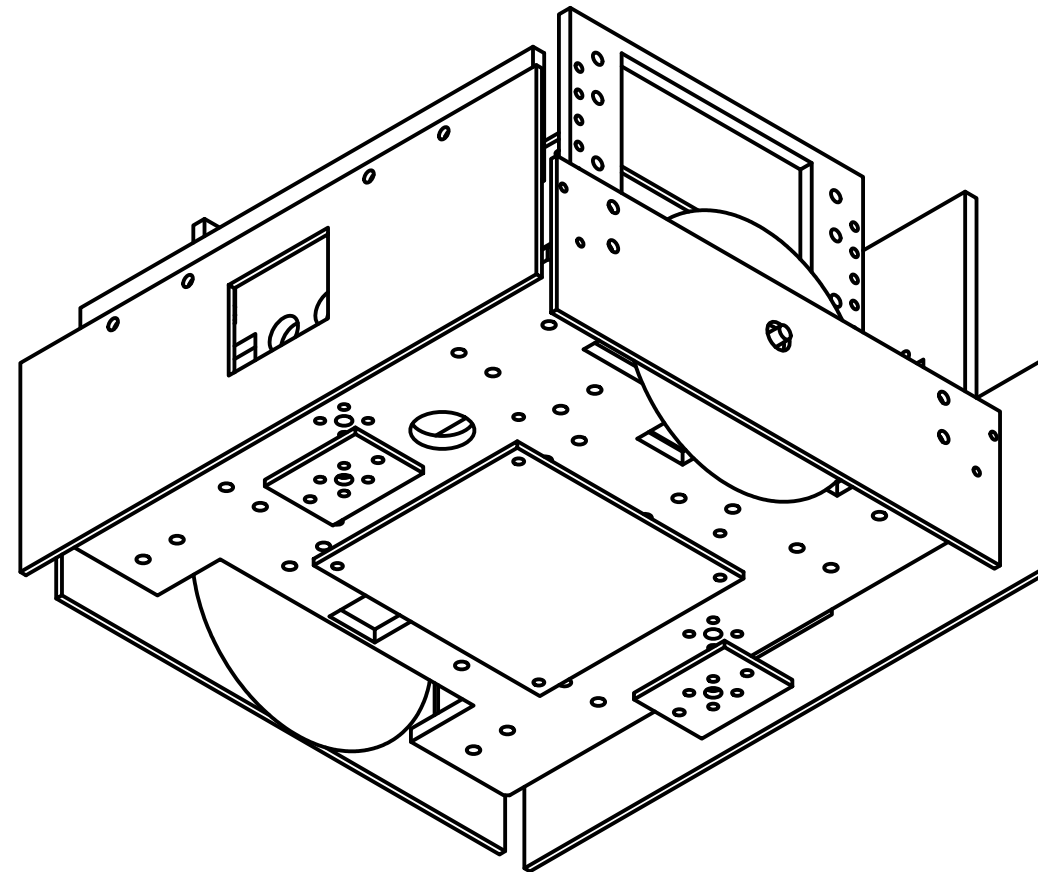
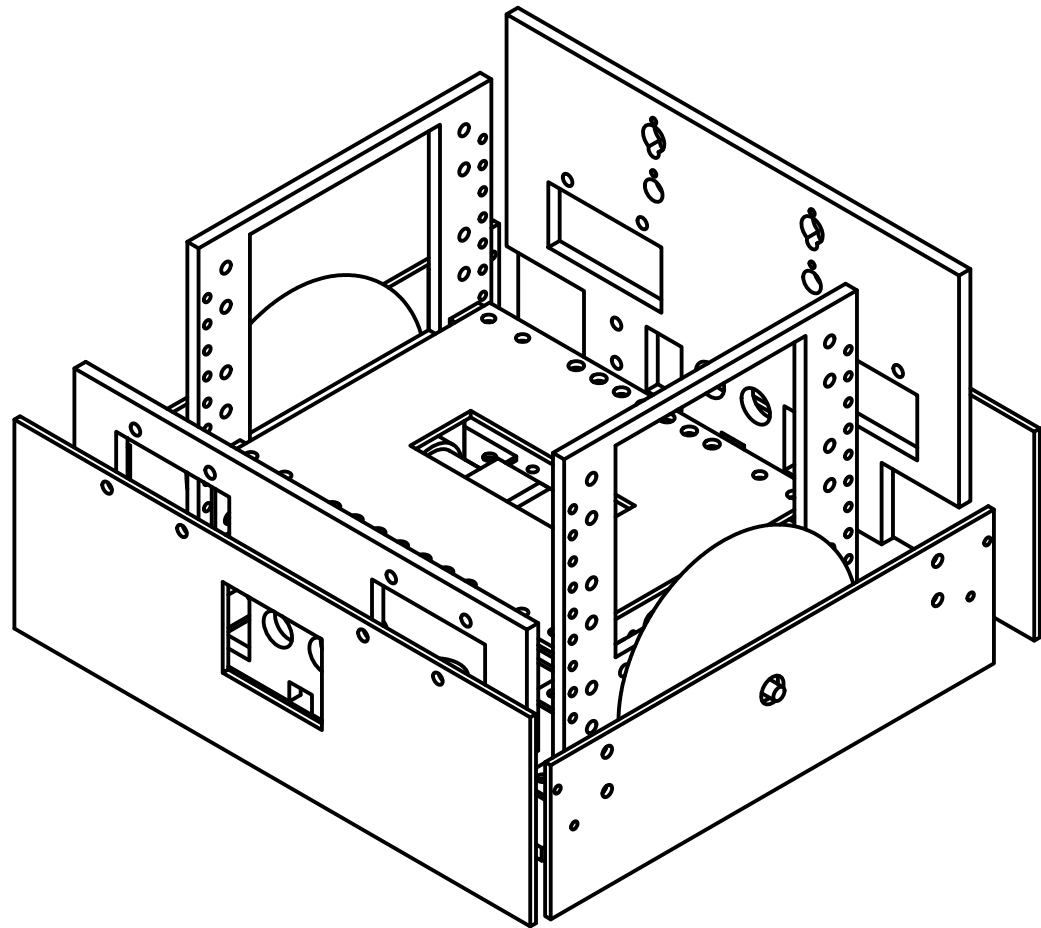
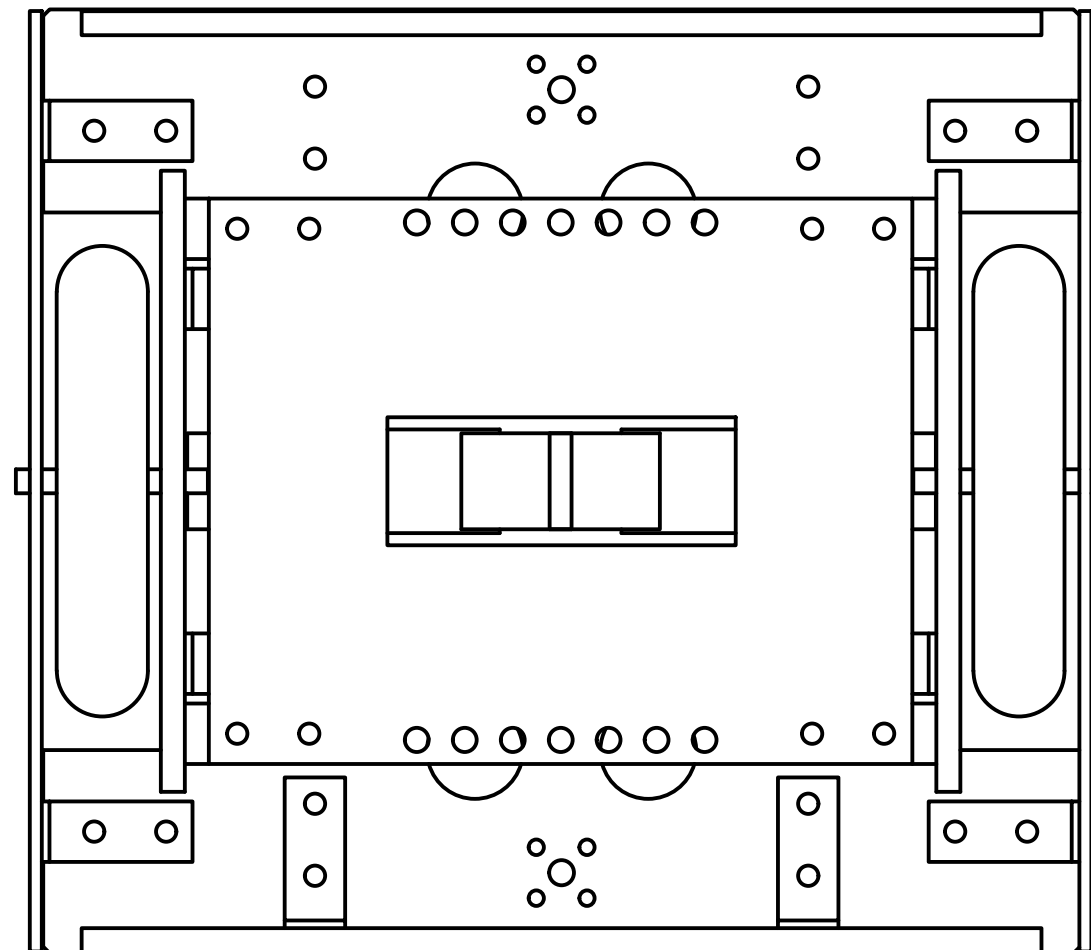
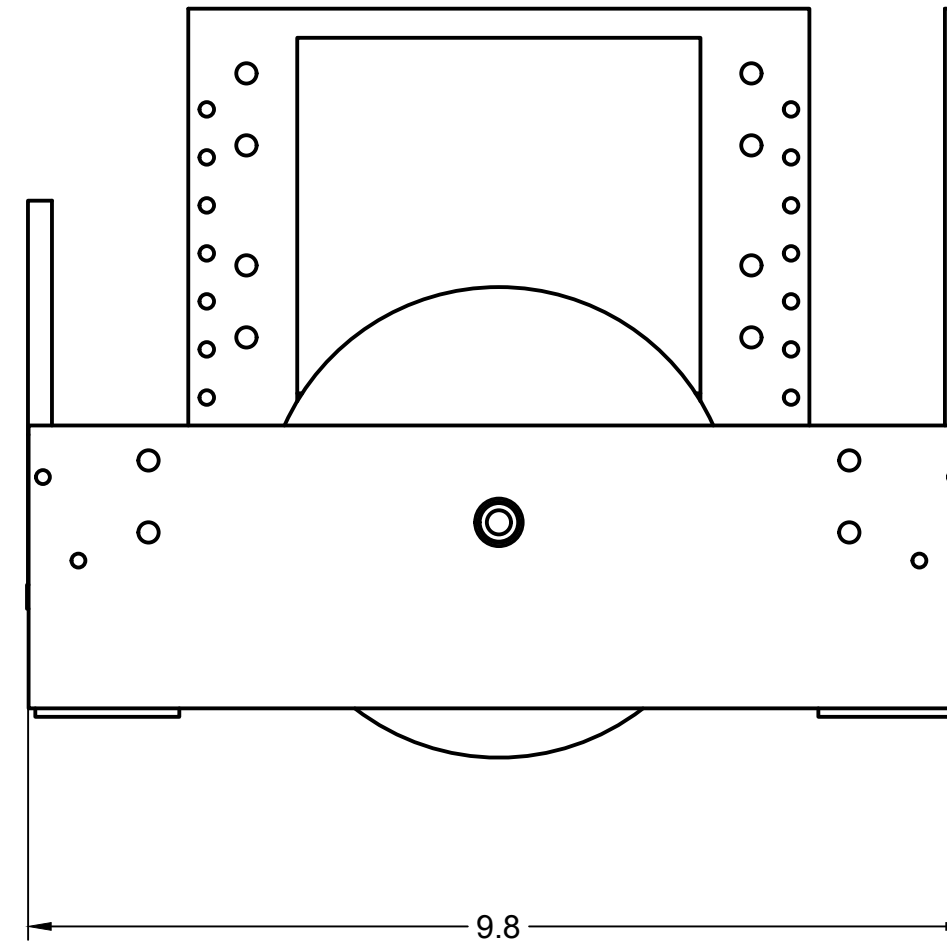
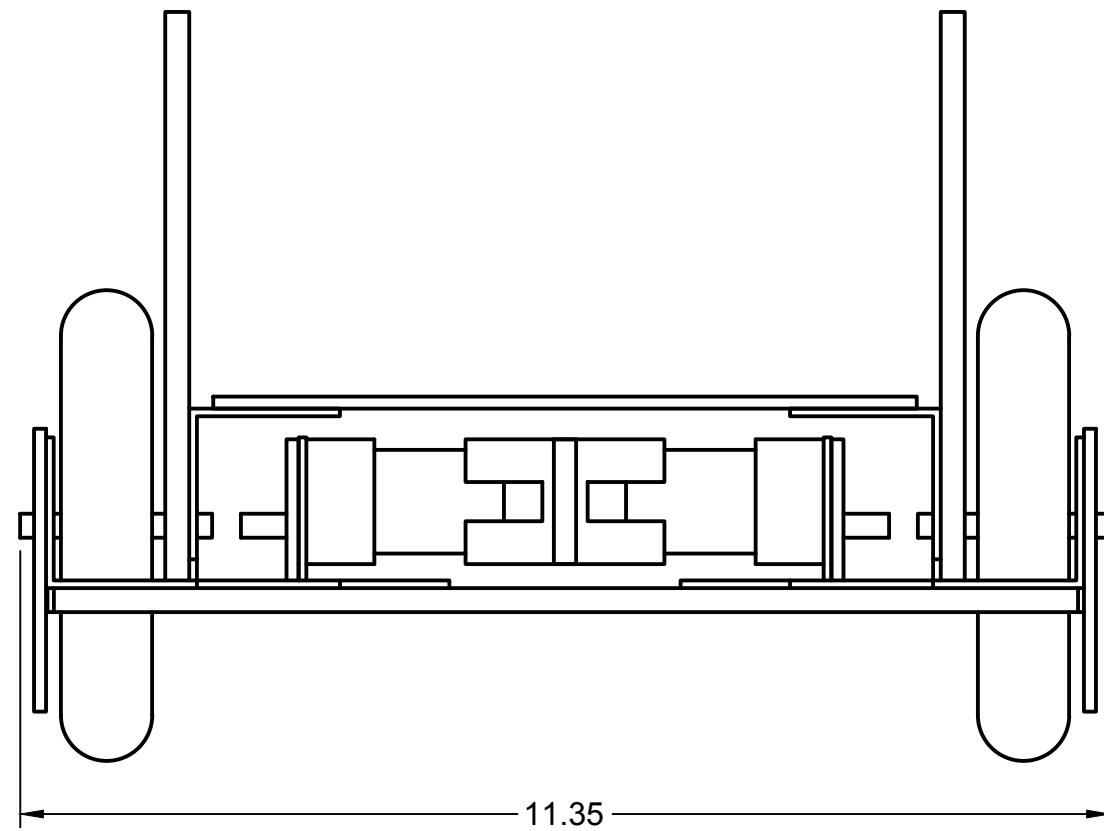


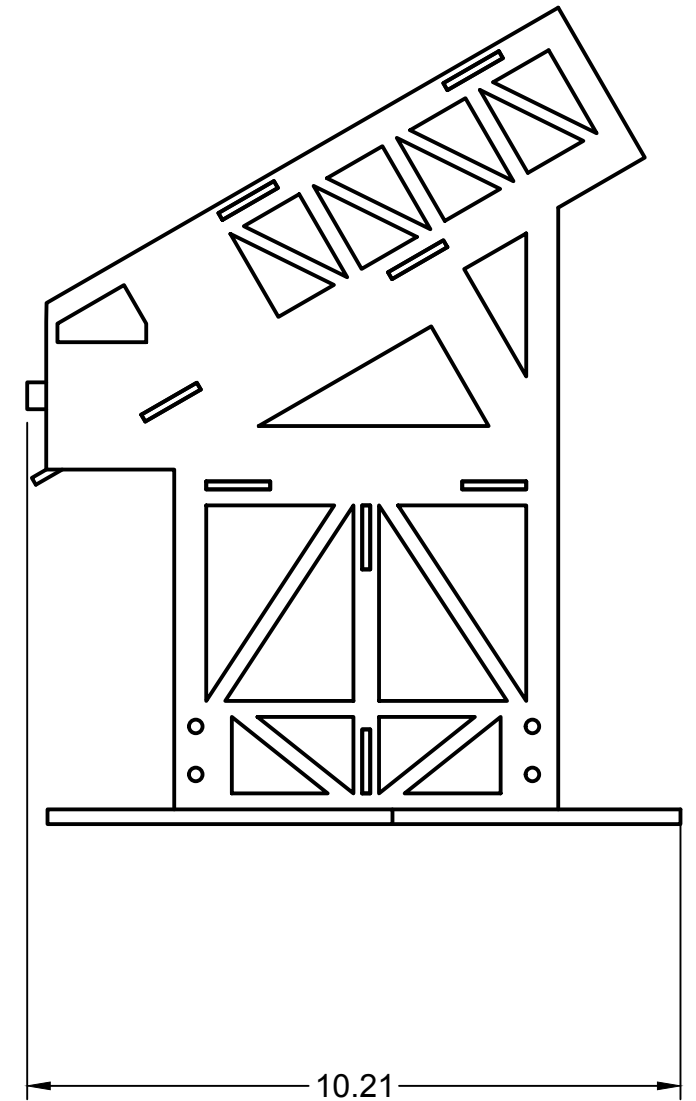
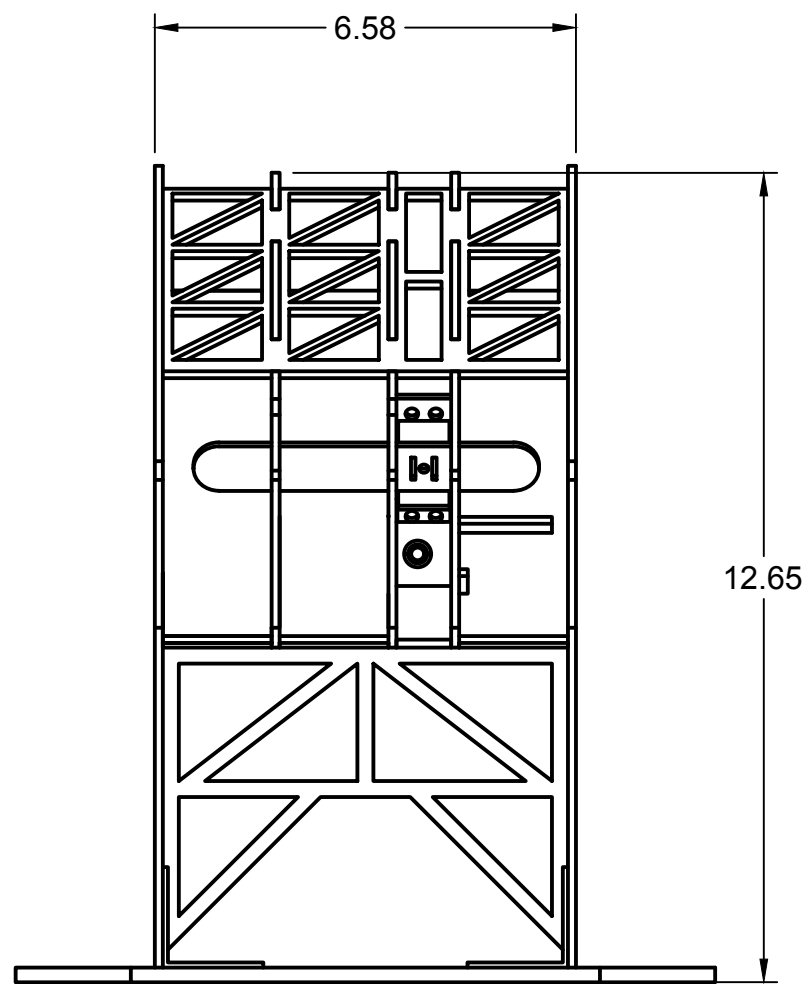
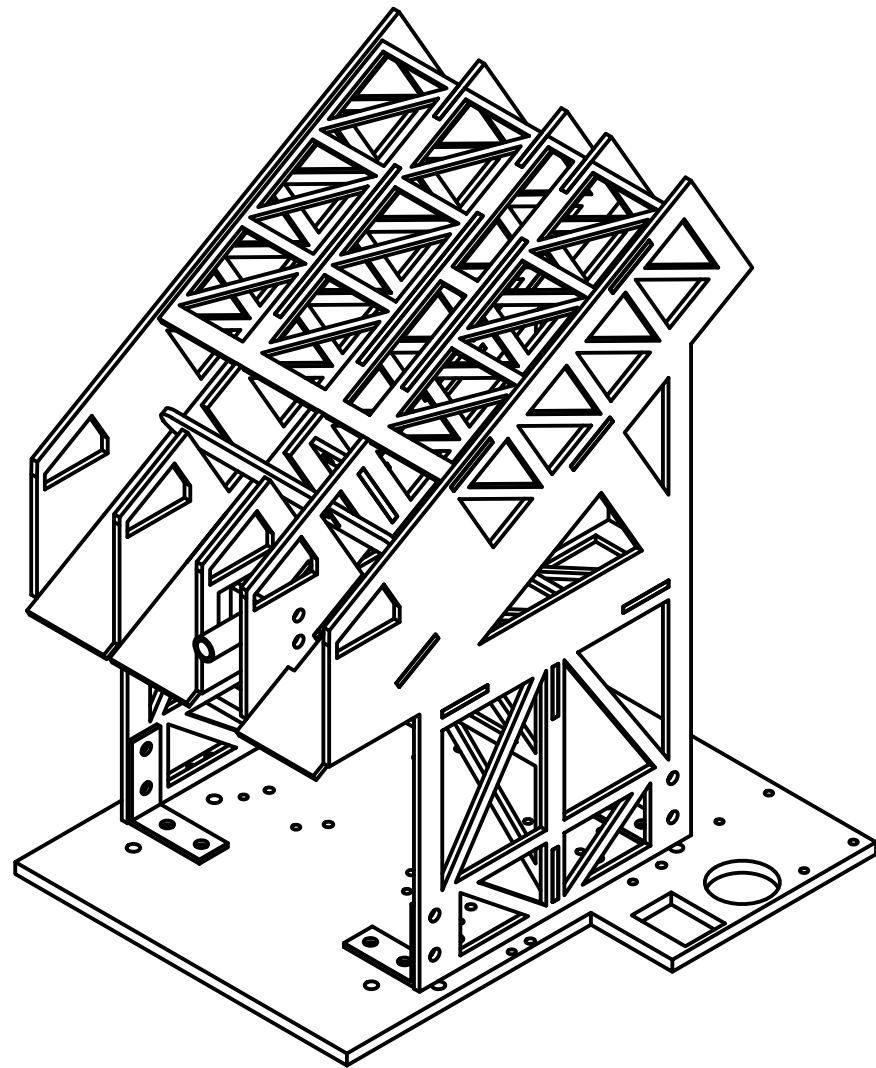
		PROJECT		
		218B		
		TITLE		
		MPLabron James		
APPROVED	SIZE	CODE	DWG NO	REV
CHECKED	B			
DRAWN	Richard Randall	3/7/22	SCALE 1:3	WEIGHT
				SHEET 1/1



		PROJECT 218B		
		TITLE Chassis Assembly		
APPROVED	SIZE	CODE	DWG NO	REV
CHECKED	B			
DRAWN	Richard Randall	3/7/22	SCALE 1:4	WEIGHT
			SHEET 1/2	



		PROJECT 218B		
		TITLE Chassis Assembly		
APPROVED	SIZE	CODE	DWG NO	REV
CHECKED	B			
DRAWN	Richard Randall	3/7/22	SCALE 1:2	WEIGHT
			SHEET 2/2	



		PROJECT		
		218B		
		TITLE		
		Dunking Mechanism		
APPROVED	SIZE	CODE	DWG NO	REV
CHECKED	B			
DRAWN	Richard Randall	3/7/22	SCALE 1:8	WEIGHT
				SHEET 1/1